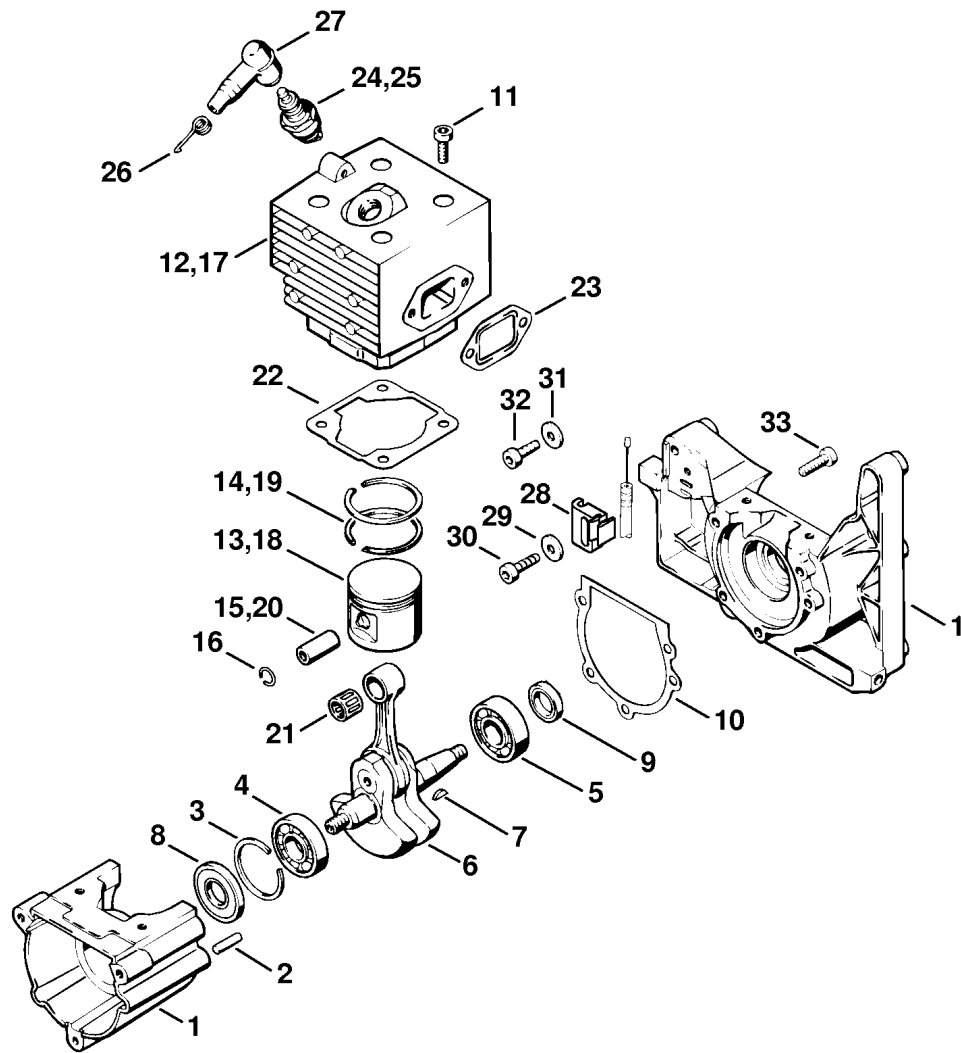


Drawing

A Crankcase, Cylinder



373ET024-SC

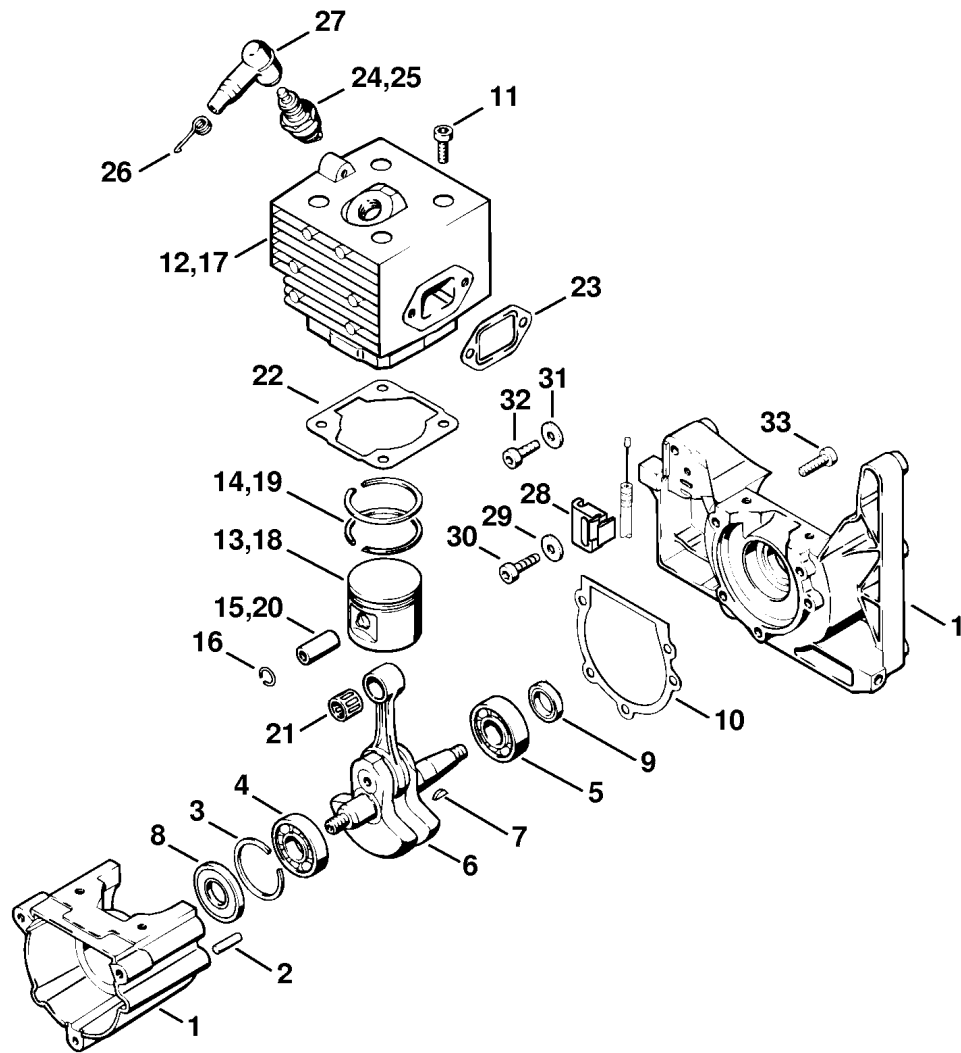
Drawing A Crankcase, Cylinder

Reference	Item number	Qty	Description
1	4203 020 2106	1	Crankcase □ 2 - 5, 33
2	9371 470 2610	2	Cylindrical pin 5x18
3	9465 620 2620	1	Snap ring 37
4	9523 003 4260	1	Grooved ball bearing 15x35x13
5	9503 003 0340	1	Grooved ball bearing 6202
6	4116 030 0400	1	Crankshaft (25.2005) □ 7
7	1120 036 8500	1	Woodruff key 2x3.7
8	9640 003 1600	1	Oil seal 15x29.6x4
9	9640 003 1340	1	Oil seal 13x22x5
10	4203 029 0500	1	Gasket
11	9022 341 1050	4	Spline screw IS-M5x25
12	4203 020 1200	1	Cylinder with piston Ø 41 mm (1,2) □ 13 - 16
13	4203 030 2000	1	Piston Ø 41 mm (1,2) □ 14 - 16
14	4203 034 3000	2	Piston ring Ø 41x1.5 mm (1,2)
15	4119 034 1500	1	Piston pin 10x6.5x28 (1,2)
16	9463 650 1000	2	Snap ring 10
17	4203 020 1201	1	Cylinder with piston Ø 46 mm (3,4,5) □ 16, 18 - 20
18	4203 030 2001	1	Piston Ø 46 mm (3,4,5) □ 16, 19, 20
19	1118 034 3001	2	Piston ring Ø 46x1.5 mm (3,4,5)
20	1110 034 1500	1	Piston pin 10x6x32 (3,4,5)
21	9512 003 2344	1	Needle cage 10x14x13
22	4203 029 2300	1	Cylinder gasket
23	1115 149 0600	1	Muffler gasket
24	0000 400 7000	1	Spark plug NGK BPMR7A
25	1110 400 7005	1	Spark plug Bosch WSR 6 F
26	0000 998 0603	1	Torsion spring
27	1106 405 1000	1	Spark plug boot

(1) BR 340, (2) BR 340 L, (3) BR 420, (4) BR 420 C, (5) BR 380

Drawing

A Crankcase, Cylinder



373ET024-SC

## Drawing A Crankcase, Cylinder

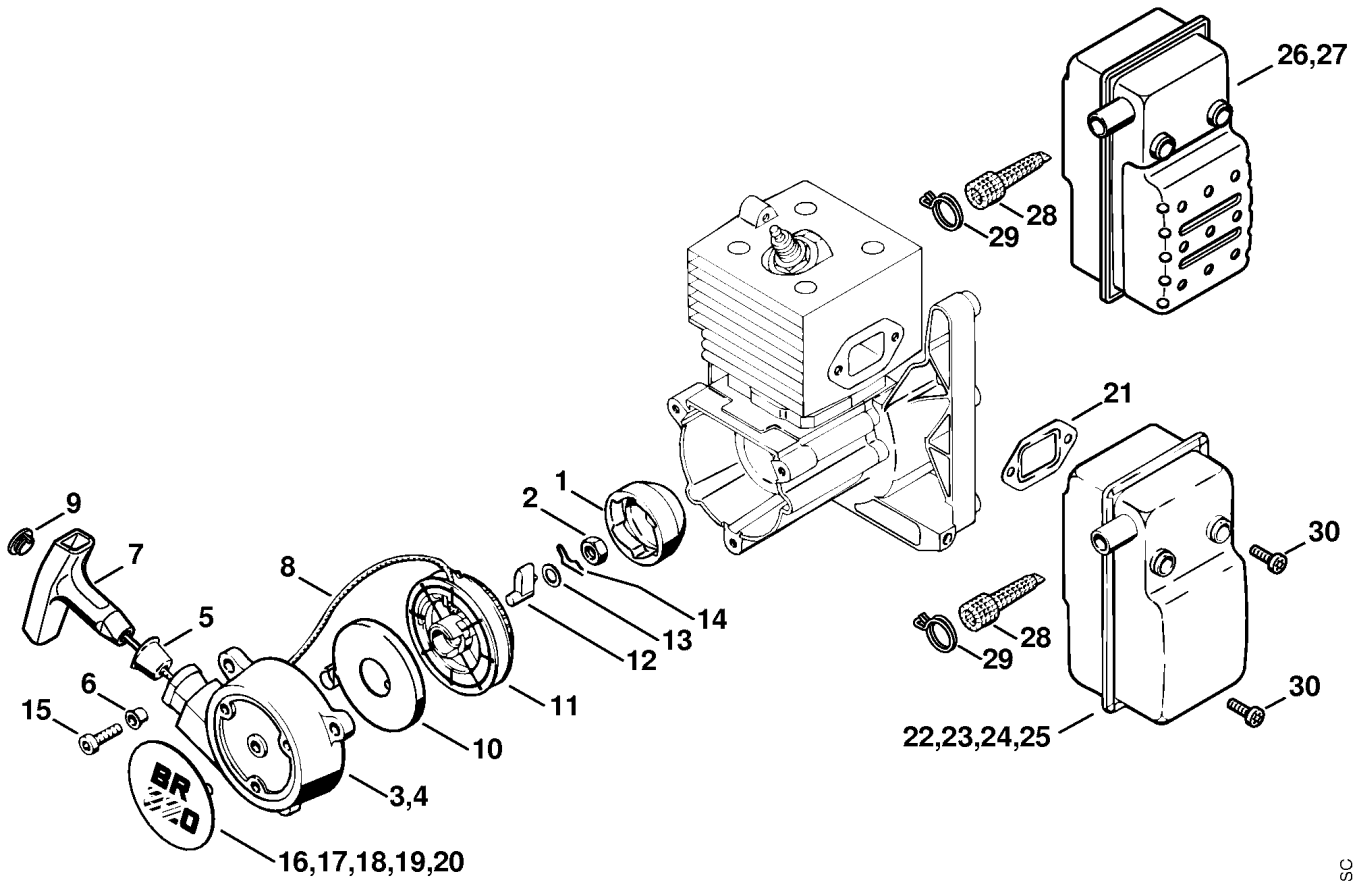
---

Reference	Item number	Qty	Description
28	4203 180 2150	1	Support <input type="checkbox"/> 29, 30
29		1	Washer 5.3 (D)
30		1	Spline screw IS-M5x20 (D)
31	* 9291 021 0121	1	Washer 5.3 (46.2001)
32	* 9022 341 0980	1	Spline screw IS-M5x16 (46.2001)
33	9022 371 1020	3	Spline screw IS-M5x20
	4203 007 1050	1	Set of gaskets <input type="checkbox"/> 8 - 10, 22, 23

(1) BR 340, (2) BR 340 L, (3) BR 420, (4) BR 420 C, (5) BR 380

Drawing

B Rewind starter, Muffler



373ET034 SC

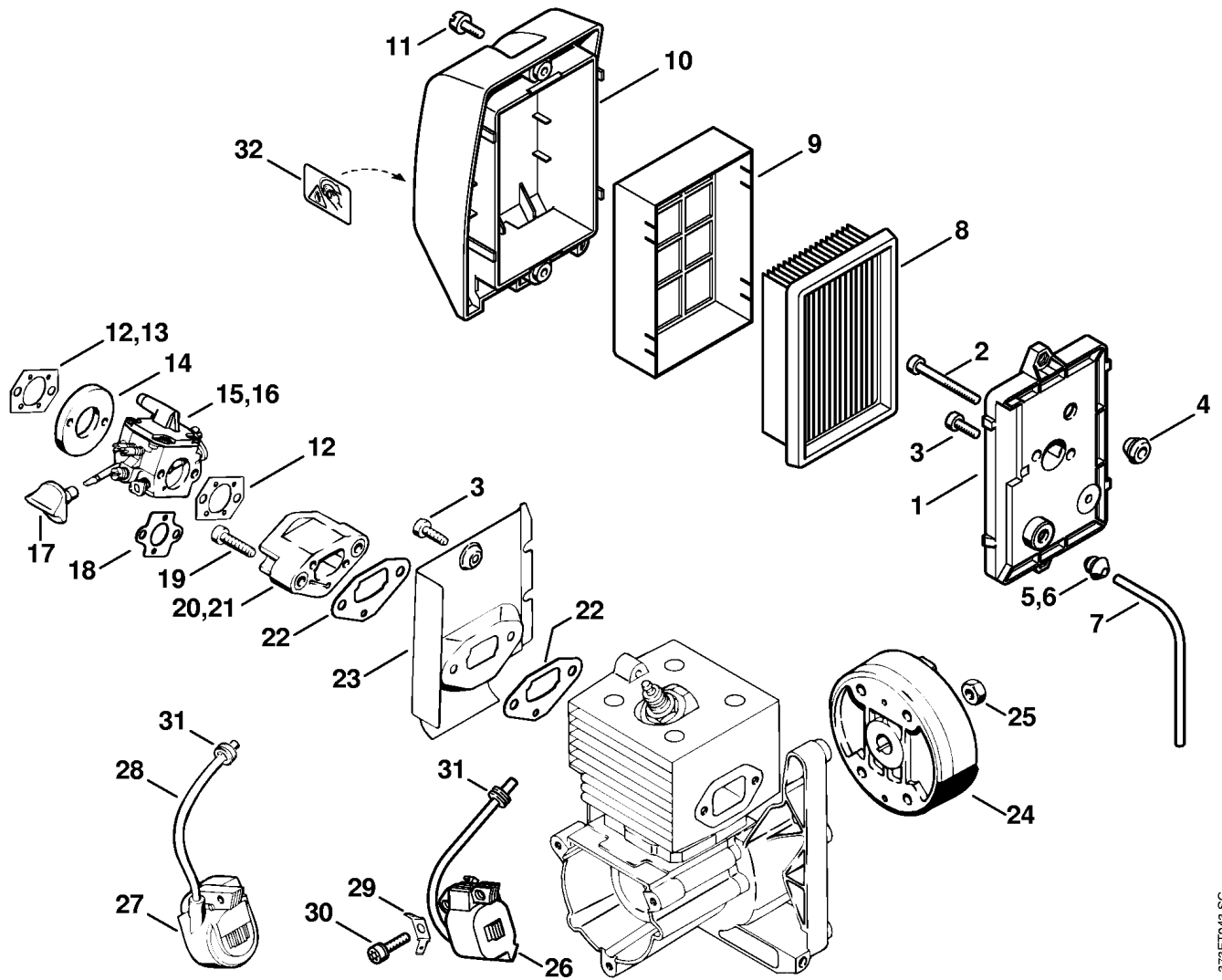
Drawing B Rewind starter, Muffler

Reference	Item number	Qty	Description
1	4223 195 0600	1	Starter cup
2	9210 261 1140	1	Hexagon nut M8x1
3	4203 190 0405	1	Starter cover with rewind starter □ 4 - 14
4	4203 190 0406	1	Starter cover □ 5, 6
5	1110 084 9102	1	Bushing
6	9443 825 7130	3	Hollow rivet 7.5x1x6.8
7	0000 190 3401	1	Starter grip ElastoStart Ø 3.5 mm □ 8, 9
8	1113 195 8200	1	Starter rope Ø 3.5x960 mm
	0000 930 2203	1	Starter rope Ø 3.5 mm x 30.5 m (B)
9	0000 195 7001	1	Cap
10	1118 190 0600	1	Rewind spring
11	4119 195 0400	1	Rope rotor
12	4116 195 7200	1	Pawl
13	0000 958 0923	1	Washer
14	1118 195 3500	1	Spring
15	9022 341 1050	3	Spline screw IS-M5x25
16	4203 967 1505	1	Model plate BR 340 (1)
17	4203 967 1509	1	Model plate BR 340 L (2)
18	4203 967 1506	1	Model plate BR 420 (3,4)
19	4203 967 1512	1	Model plate BR 420 Magnum (3,4) USA, CDN
20	4203 967 1513	1	Model plate BR 380 (5)
21	1115 149 0600	1	Muffler gasket
22	4203 140 0601	1	Muffler (1,3,5)
23	4203 140 0602	1	Muffler (1,3,5) USA, AUS, CDN □ 28, 29
24	4203 140 0605	1	Muffler (2)
25	4203 140 0606	1	Muffler (2) USA, AUS, CDN □ 28, 29
26	4203 140 0604	1	Muffler, Cat. (C) (4) □ 28, 29
27	4203 140 0608	1	Muffler, Cat. (4,5) □ 28, 29
28	4203 141 9005	1	Screen
29	4203 141 6600	1	Clip
30	9022 371 1020	3	Spline screw IS-M5x20

(1) BR 340, (2) BR 340 L, (3) BR 420, (4) BR 420 C, (5) BR 380

Drawing

C Air filter, Ignition system



373ET043 SC

## Drawing C Air filter, Ignition system

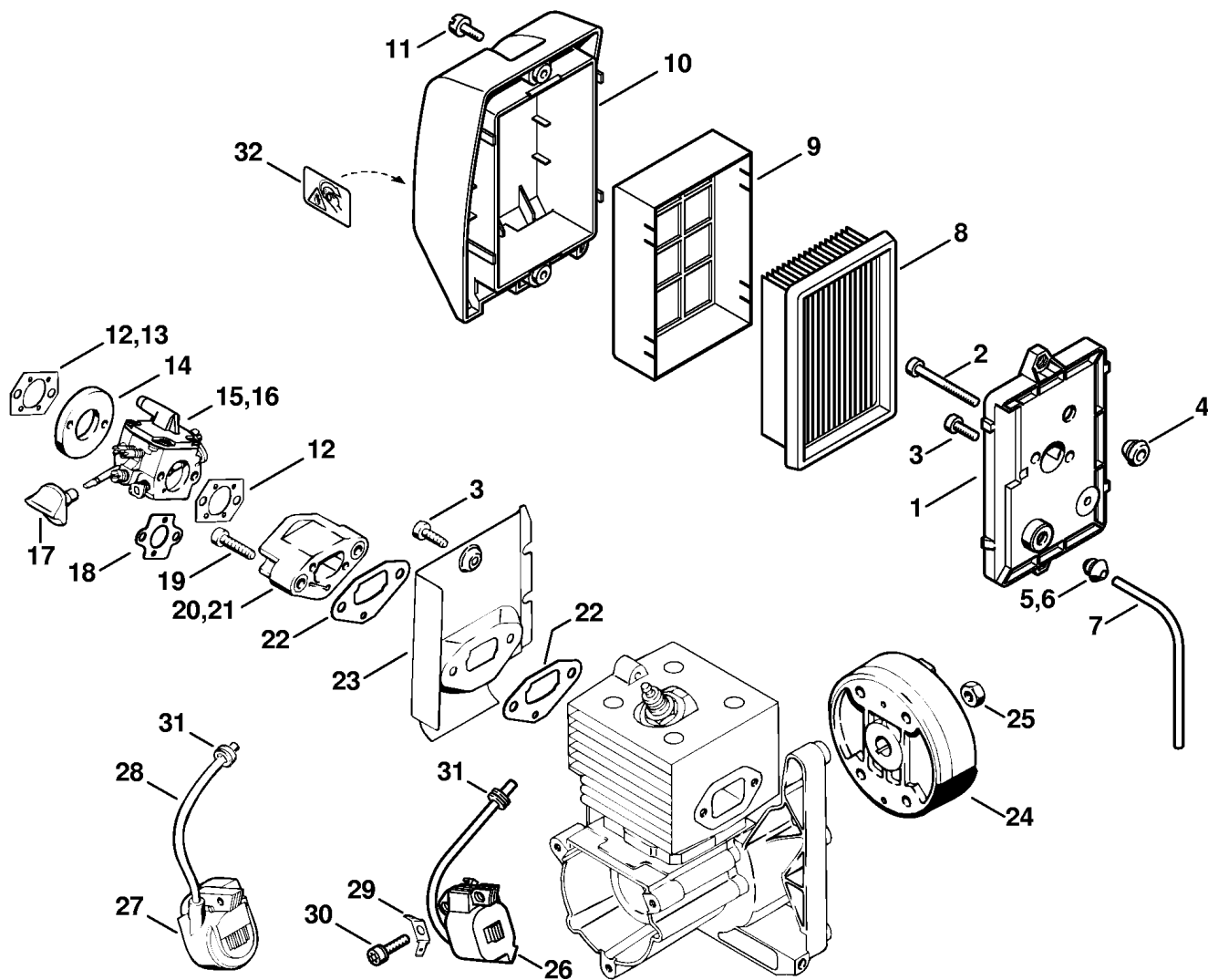
Reference	Item number	Qty	Description
1	4203 140 2806	1	Filter housing
2	9022 341 1220	2	Spline screw IS-M5x48
3	9022 341 0980	2	Spline screw IS-M5x16
4	4134 123 7500	1	Grommet
5	* 0000 353 6500	1	Plug (34.2006)
6	* 0000 989 0516	1	Grommet (34.2006)
7	*	1	Hose 3.1x5.7x135 mm (D) (34.2006)
	* 0000 930 2803	1	Hose 3.1x5.7 mm x 1 m (A,B) (34.2006)
	* 0712 923 8004	1	Hose 3.1x5.7 mm x 10 m (A,B) (34.2006)
	4203 007 1028	1	Air filter kit (B) USA □ 8, 9
8	4203 141 0301	1	Air filter
9	4203 120 1500	1	Prefilter
10	4203 140 1001	1	Filter cover □ 11
11	4128 141 8000	2	Screw plug
12	4203 129 0900	2	Gasket (1,3,4,5)
13	4203 129 0900	1	Gasket (2)
14	4203 122 1000	1	Flange (2)
15	4203 120 0610	1	Carburetor HD-45 (1,3,4,5)
15	*	1	Carburetor HD-28A (C) (1,3,4,5)
16	4203 120 0609	1	Carburetor WT-580 (2)
17	4203 182 9501	1	Choke knob
18	4114 129 0501	1	Gasket (2)
19	9022 341 1050	2	Spline screw IS-M5x25
20	4203 120 2205	1	Flange (2)
21	4203 120 2200	1	Flange (1,3,4,5)
22	4203 129 0901	2	Gasket
23	4203 122 1600	1	Heat shield

(1) BR 340, (2) BR 340 L, (3) BR 420, (4) BR 420 C, (5) BR 380



Drawing

C Air filter, Ignition system



373ET043 SC

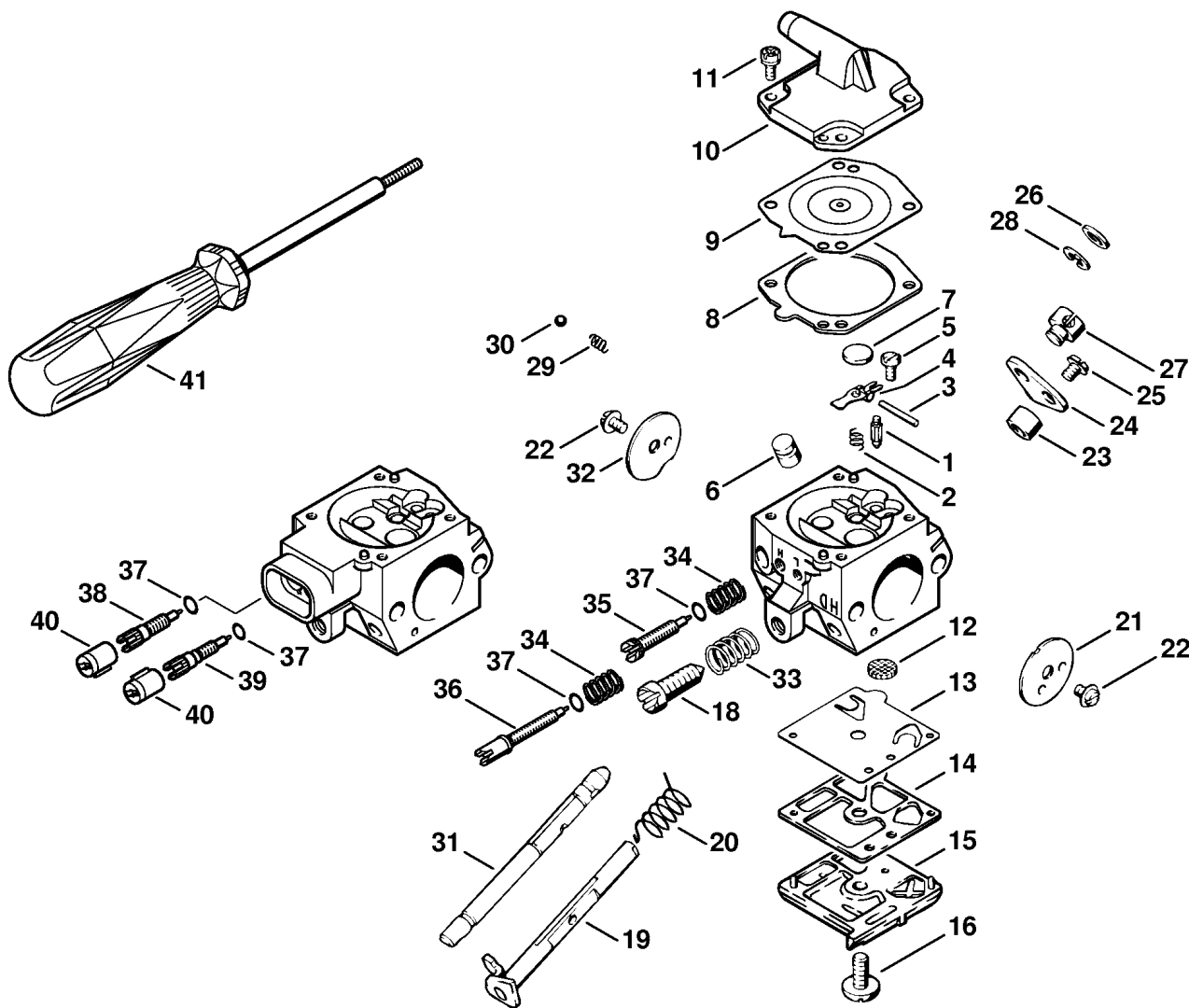
Drawing C Air filter, Ignition system

Reference	Item number	Qty	Description
24	4203 400 1200	1	Flywheel (25.2005)
25	9210 261 1140	1	Hexagon nut M8x1
26	4203 400 1302	1	Ignition module
27	* 4203 400 1301	1	Ignition module → 2 49 904 356 (19.2001) □ 28
28	* *	1	Ignition lead 270 mm → 2 49 904 356 (19.2001)
	* 0000 405 0600	1	Ignition lead 1 m (B) → 2 49 904 356 (19.2001)
29	0751 030 8415	1	Spade terminal 6.3
30	9022 341 1019	2	Spline screw IS-M5x20
31	0000 989 0602	1	Grommet
32	0000 967 3693	1	Warning pictogram Filler cap USA, CDN
	4203 007 1050	1	Set of gaskets □ 12, 13, 18, 22

(1) BR 340, (2) BR 340 L, (3) BR 420, (4) BR 420 C, (5) BR 380

Drawing

D Carburetor HD-28A, HD-29, HD-45



373ET002 SC

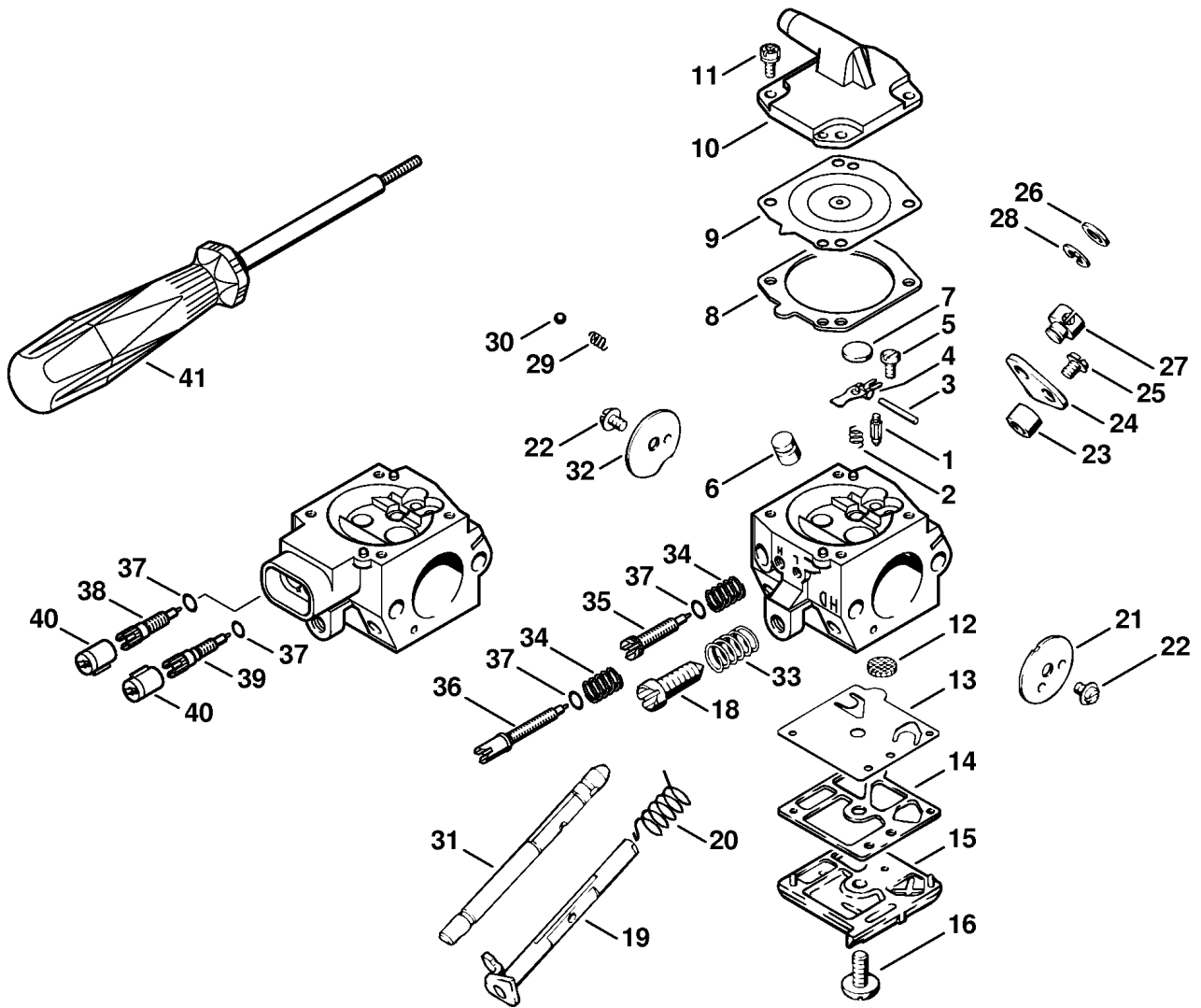
## Drawing D Carburetor HD-28A, HD-29, HD-45

Reference	Item number	Qty	Description
	4203 120 0610	1	Carburetor HD-45 (1,3,4,5) □ 1 - 33, 37 - 40
*		1	Carburetor HD-28A (C) (1,3,4,5) □ 1 - 33, 37 - 40
*		1	Carburetor HD-29 (C) (1,3) (42.2003) □ 1 - 37
1	4116 121 5100	1	Inlet needle (1,3,4,5)
2	4116 122 3000	1	Spring (1,3,4,5)
3	1113 121 9200	1	Spindle (1,3,4,5)
4	4116 121 5000	1	Inlet control lever (1,3,4,5)
5	1114 122 7400	1	Round head screw (1,3,4,5)
6	4203 121 5400	1	Valve jet 0.52 (1,3,4,5)
7	4117 122 9402	1	Plug (1,3,4,5)
8	4116 129 0901	1	Gasket (1,3,4,5)
9	4116 121 4700	1	Metering diaphragm (1,3,4,5)
10	4203 121 0802	1	End cover (1,3,4,5)
11	1121 122 7101	4	Screw (1,3,4,5)
12	1114 121 7800	1	Strainer (1,3,4,5)
13	4116 121 4800	1	Pump diaphragm (1,3,4,5)
14	4203 129 0902	1	Gasket (1,3,4,5)
15	4203 121 0800	1	End cover (1,3,4,5)
16	1114 122 7100	1	Screw (1,3,4,5)
18	4117 122 6200	1	Idle speed adjustment screw (1,3,4,5)
19	4116 120 7100	1	Throttle shaft with lever (1,3,4,5)
20	4116 122 3200	1	Torsion spring (1,3,4,5)
21	4116 121 3300	1	Throttle shutter (1,3,4,5)
22	1115 122 7400	2	Round head screw (1,3,4,5)

(1) BR 340, (2) BR 340 L, (3) BR 420, (4) BR 420 C, (5) BR 380

Drawing

D Carburetor HD-28A, HD-29, HD-45



373ET002 SC

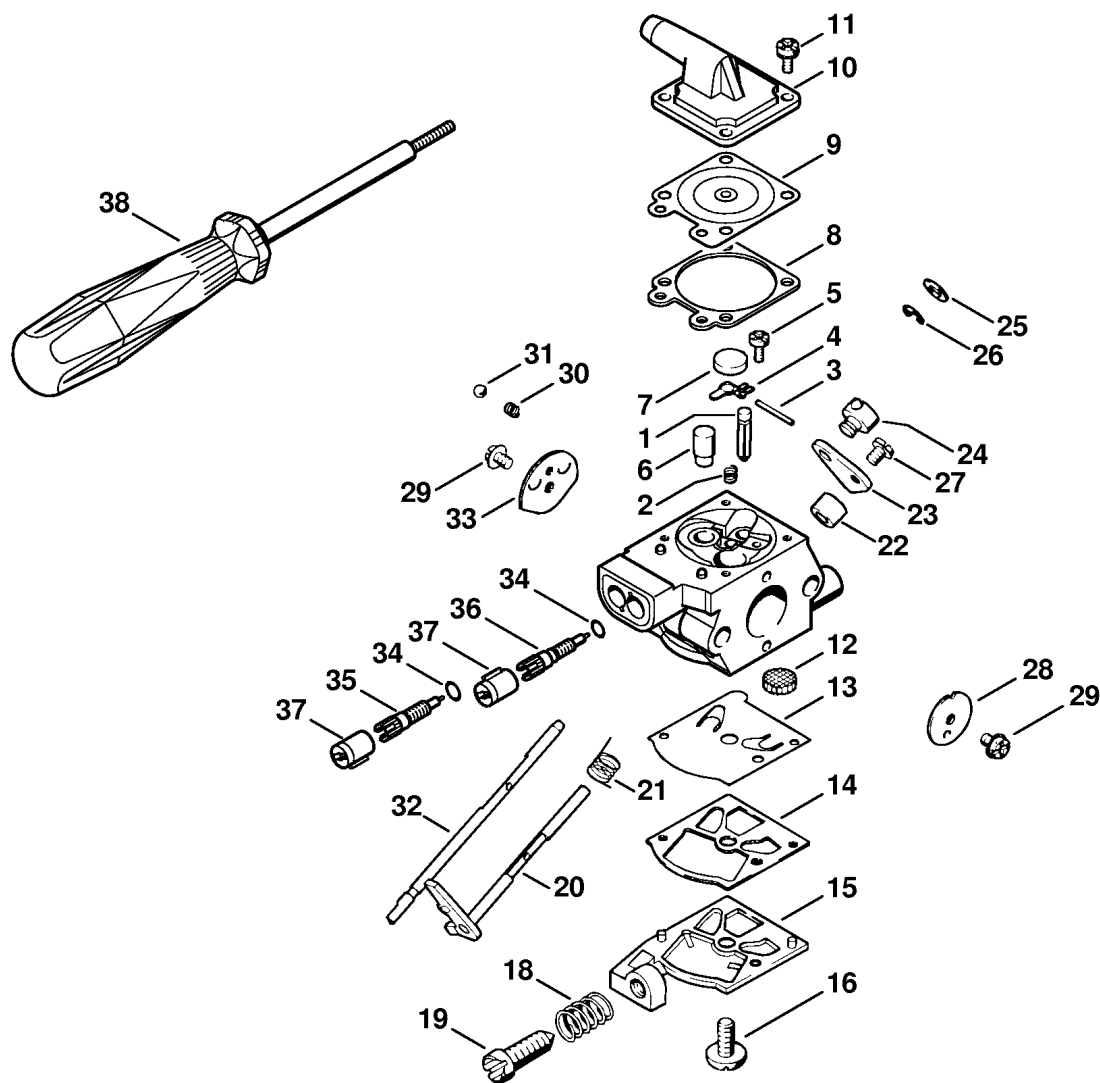
## Drawing D Carburetor HD-28A, HD-29, HD-45

Reference	Item number	Qty	Description
23	4116 122 5000	1	Spacer sleeve (1,3,4,5)
24	4203 123 7300	1	Lever (1,3,4,5)
25	1110 122 7400	1	Round head screw (1,3,4,5)
26	4215 121 8600	1	Washer (1,3,4,5)
27	4215 121 8900	1	Pin (1,3,4,5)
28	1117 122 9000	1	E-clip (1,3,4,5)
29	1116 122 3000	1	Spring (1,3,4,5)
30	1116 122 4200	1	Ball (1,3,4,5)
31	4203 121 3001	1	Choke shaft (1,3,4,5)
32	4116 121 2900	1	Choke shutter (1,3,4,5)
33	4117 122 3006	1	Spring (1,3,4,5)
34	* 1128 122 3003	2	Spring (1,3,4,5) (42.2003)
35	* 4203 122 6704	1	High speed adjustment screw (1,3,4,5) (42.2003) □ 37
36	* 4203 122 6805	1	Low speed adjustment screw (1,3,4,5) (42.2003) □ 37
37	4203 122 3600	1	Sealing ring (1,3,4,5)
38	4203 122 6703	1	High speed adjustment screw (1,3,4,5) □ 37
39	4203 122 6804	1	Low speed adjustment screw (1,3,4,5) □ 37
40	4203 121 2700	2	Cap (1,3,4,5)
41	5910 890 4500	1	Puller (B) (1,3,4,5)
	4116 007 1061	1	Set of carburetor parts (1,3,4,5) □ 1, 2, 4, 7 - 9, 12 - 14

(1) BR 340, (2) BR 340 L, (3) BR 420, (4) BR 420 C, (5) BR 380

Drawing

E Carburetor BR 340 L WT-580



378ET003 SC

## Drawing E Carburetor BR 340 L WT-580

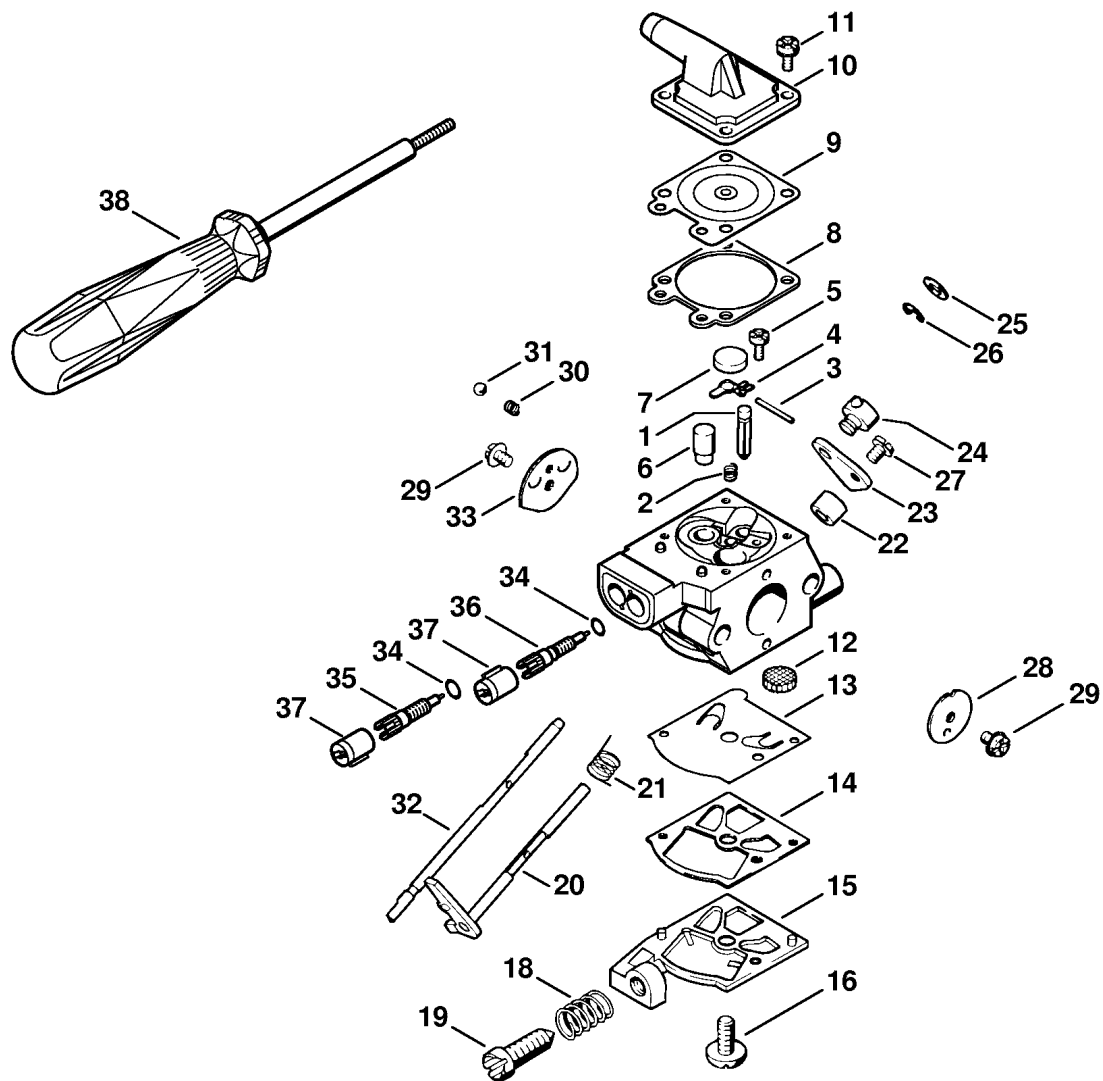
Reference	Item number	Qty	Description
	4203 120 0609	1	Carburetor WT-580 (2) □ 1 - 37
1	1110 121 5100	1	Inlet needle (2)
2	1120 122 3001	1	Spring (2)
3	1113 121 9200	1	Spindle (2)
4	1113 121 5000	1	Inlet control lever (2)
5	1114 122 7400	1	Round head screw (2)
6	4203 122 5200	1	Outlet valve with fixed jet (2)
7	4117 122 9402	1	Plug (2)
8	1120 129 0900	1	Gasket (2)
9	1113 121 4705	1	Metering diaphragm (2)
10	4203 121 0803	1	End cover (2)
11	1121 122 7101	4	Screw (2)
12	1114 121 7800	1	Strainer (2)
13	1121 121 4801	1	Pump diaphragm (2)
14	1120 129 0905	1	Gasket (2)
15	4203 121 0801	1	End cover (2)
16	1114 122 7100	1	Screw (2)
18	4117 122 3006	1	Spring (2)
19	4117 122 6200	1	Idle speed adjustment screw (2)
20	4203 120 7100	1	Throttle shaft with lever (2)
21	1113 122 3205	1	Torsion spring (2)
22	4116 122 5000	1	Spacer sleeve (2)
23	4203 123 7300	1	Lever (2)
24	4215 121 8900	1	Pin (2)
25	4215 121 8600	1	Washer (2)
26	1117 122 9000	1	E-clip (2)
27	1115 122 7400	1	Round head screw (2)
28	4117 121 3300	1	Throttle shutter (2)
29	1110 122 7400	2	Round head screw (2)
30	1116 122 3000	1	Spring (2)
31	1116 122 4200	1	Ball (2)

(1) BR 340, (2) BR 340 L, (3) BR 420, (4) BR 420 C, (5) BR 380



Drawing

E Carburetor BR 340 L WT-580



378ET003 SC

## Drawing E Carburetor BR 340 L WT-580

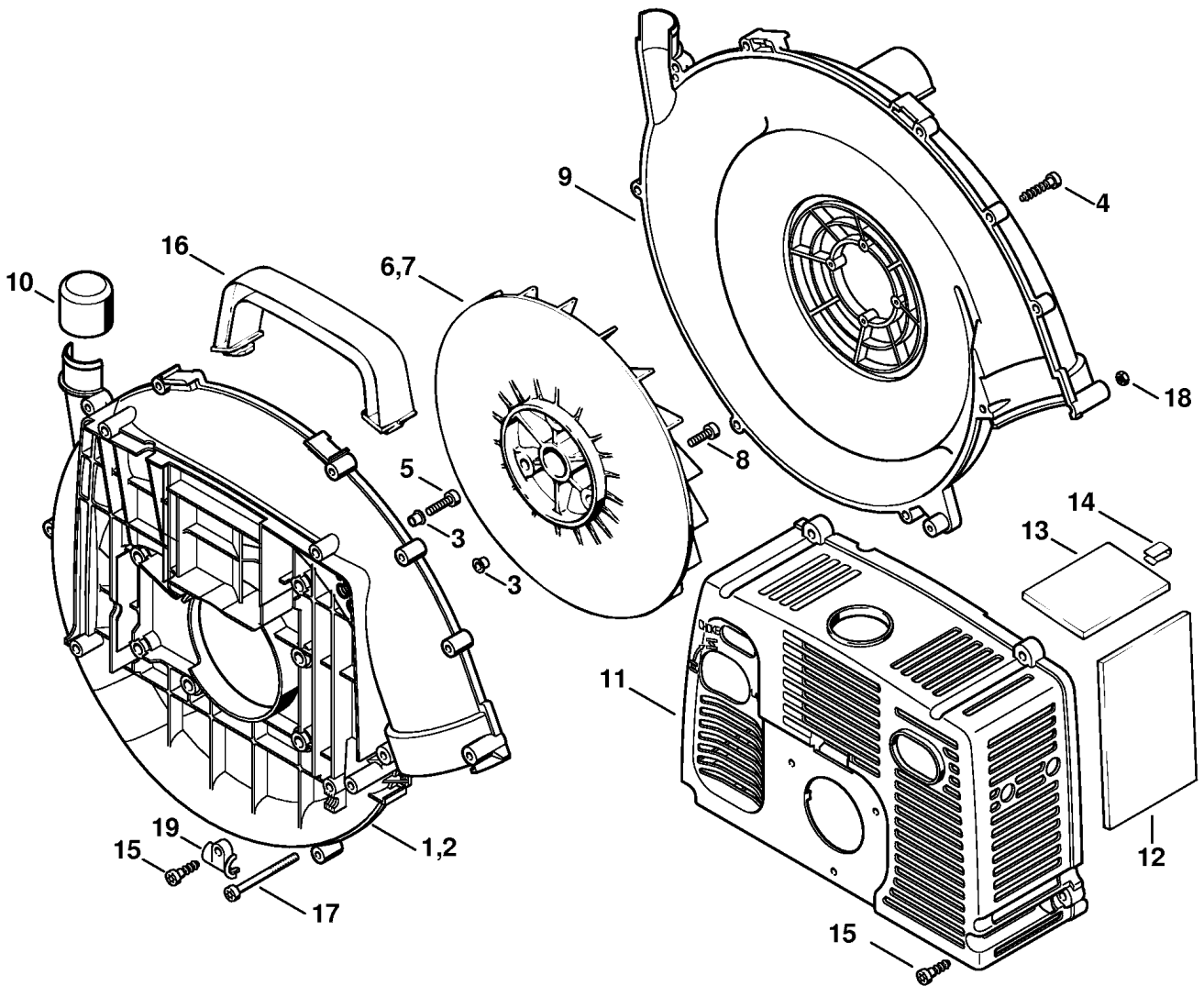
---

Reference	Item number	Qty	Description
32	4203 121 3002	1	Choke shaft (2)
33	4117 121 2900	1	Choke shutter (2)
34	4203 122 3600	1	Sealing ring (2)
35	4130 122 6702	1	High speed adjustment screw (2) □ 34
36	4203 122 6803	1	Low speed adjustment screw (2) □ 34
37	4203 121 2700	2	Cap (2)
38	5910 890 4500	1	Puller (B) (2)
	4203 007 1061	1	Set of carburetor parts (2) □ 1, 2, 4, 7 - 9, 12 - 14

(1) BR 340, (2) BR 340 L, (3) BR 420, (4) BR 420 C, (5) BR 380

Drawing

F Fan housing



373ET004 SC

Drawing F Fan housing

Reference	Item number	Qty	Description
1	4203 700 4103	1	Fan housing (C) □ 3
2	4203 700 4104	1	Fan housing □ 3
3	9443 825 7130	6	Hollow rivet 7.5x1x6.8
4	9074 478 4545	9	Pan head self-tapping screw IS-P6x26.5
5	9022 371 1020	6	Spline screw IS-M5x20
6	4203 700 3401	1	Fanwheel (1,3,4,5) □ 3
7	4203 704 3405	1	Fanwheel (2)
8	9022 341 0980	3	Spline screw IS-M5x16
9	4203 701 0701	1	Fan housing, outer
10	0000 706 4100	1	Cap
11	4203 706 2102	1	Shroud
12	4203 706 1500	1	Soundproofing mat (2)
13	4203 706 1505	1	Soundproofing mat (2)
14	9900 003 0001	3	Clip (2)
15	9074 478 4425	5	Pan head self-tapping screw IS-P6x19
16	4203 791 0300	1	Handle
17	9022 313 1120	2	Spline screw IS-M5x58
18	9212 421 0700	2	Lock nut M5
19	4203 182 2107	1	Support

(1) BR 340, (2) BR 340 L, (3) BR 420, (4) BR 420 C, (5) BR 380



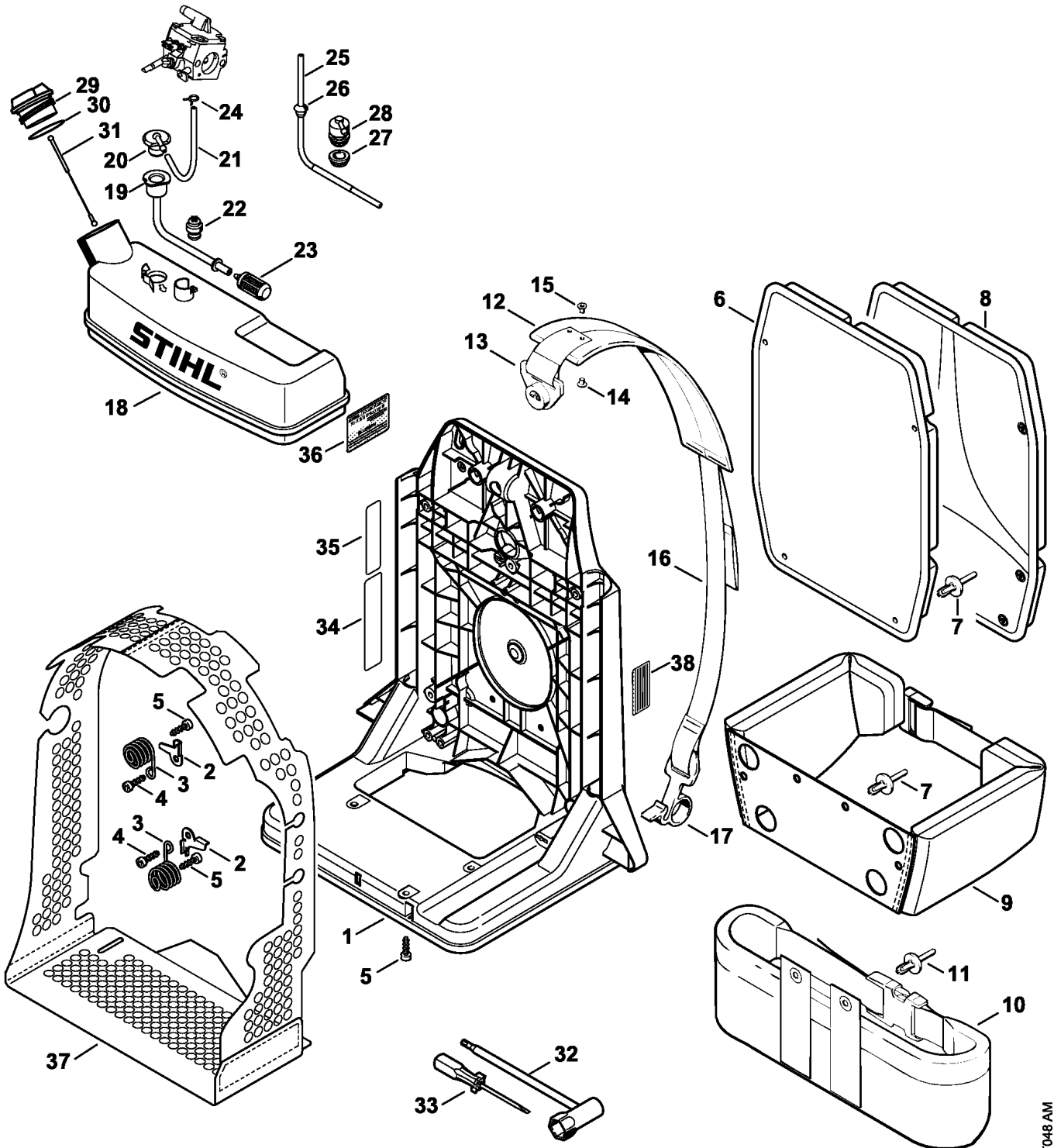
## Drawing G Backplate

Reference	Item number	Qty	Description
1	4203 700 3851	1	Backplate □ 6, 7
2	4203 706 1100	3	Bracket
3	4203 708 0800	3	Spring
4	9074 478 4475	3	Pan head self-tapping screw IS-P6x21.5
5	9074 478 4425	7	Pan head self-tapping screw IS-P6x19
6	4203 790 8003	1	Back rest pad (1,3,4,5) □ 7
7	0751 030 7651	4	Rivet 5.9x17
8 *	4203 790 8001	1	Back rest pad (1,2,3,4) → 2 66 439 309 (09.2005)
9	4203 710 9102	1	Lap belt (B) □ 7
10 *	4203 710 9100	1	Lap belt (B) (06.2003) □ 11
11 *	0751 030 7651	2	Rivet 5.9x17 (B) (06.2003)
12	4203 710 9000	2	Harness □ 13 - 17
13	4203 007 1002	2	Harness buckle □ 14, 15
14	9408 021 4530	4	Rivet shank 4x8x6
15	9409 021 4420	4	Rivet head 4x8
16	4203 710 6900	2	Hook with webbing □ 17
17	4203 791 4600	2	Hook
18	4203 350 0451	1	Fuel tank □ 19 - 23, 29 - 31
19	4203 358 7701	1	Hose
20	4203 353 2500	1	Elbow connector
21		1	Hose 3.1x5.7x166 mm (D)
	0000 930 2803	1	Hose 3.1x5.7 mm x 1 m (A,B)
	0712 923 8004	1	Hose 3.1x5.7 mm x 10 m (A,B)
22	0000 350 5800	1	Tank vent
23	0000 350 3502	1	Pickup body

(1) BR 340, (2) BR 340 L, (3) BR 420, (4) BR 420 C, (5) BR 380

Drawing

G Backplate



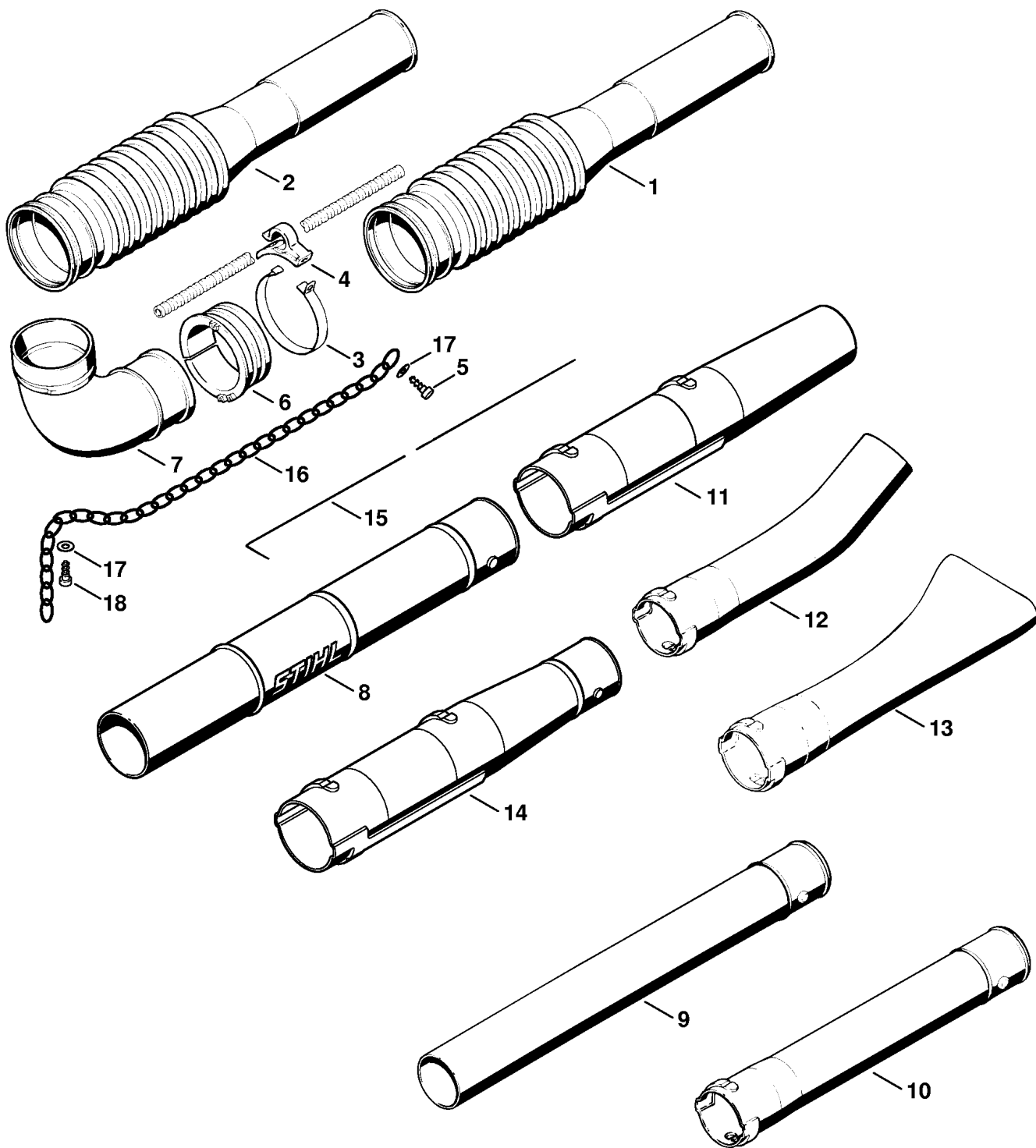
373ET048 AM





Drawing

H Pleated hose, Blower tube



373ET041 SC

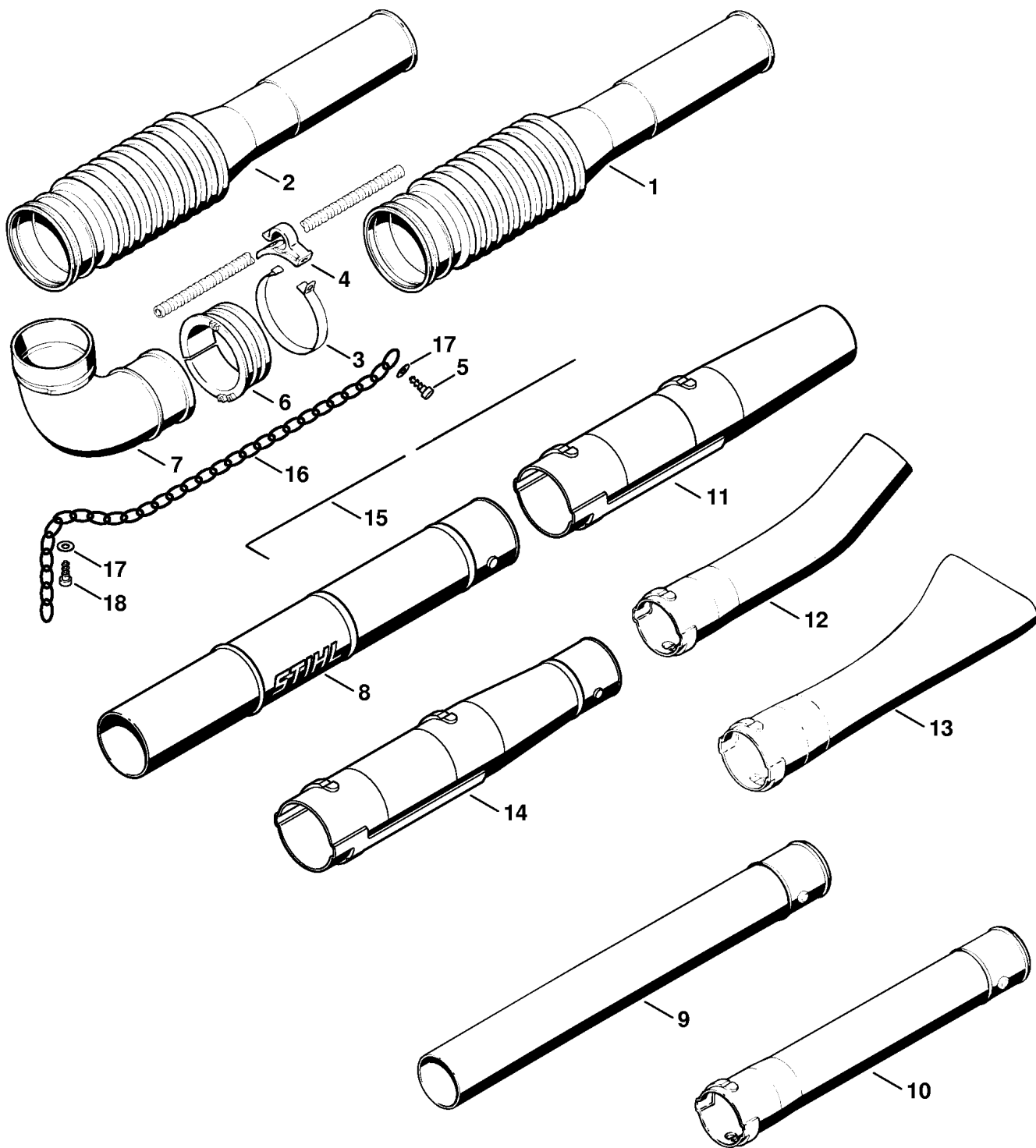
Drawing H Pleated hose, Blower tube

Reference	Item number	Qty	Description
1	4203 701 6101	1	Pleated hose Ø 80 mm (3,4)
1 *	4203 701 6101	1	Pleated hose Ø 80 mm (1,2) (09.2005)
2	4203 701 6102	1	Pleated hose Ø 67 mm (1,5)
2 *	4203 701 6102	1	Pleated hose Ø 67 mm (1,2,3,4) (46.2001)
3	4203 700 7100	1	Hose clip □ 4, 5
4	4203 708 8201	1	Bracket
5	9074 478 4425	1	Pan head self-tapping screw IS-P6x19
6	4203 701 6300	1	Slip ring
7	4203 708 6901	1	Elbow
8	4203 708 3404	1	Blower tube Ø 80 mm (3,4)
8 *	4203 708 3404	1	Blower tube Ø 80 mm (1,2) (09.2005)
9	4203 708 3402	1	Blower tube Ø 67 mm (1,5)
9 *	4203 708 3402	1	Blower tube Ø 67 mm (1,2,3,4) (46.2001)
10	4203 708 3400	1	Blower tube Ø 67 mm (1,5)
10 *	4203 708 3400	1	Blower tube Ø 67 mm (1,2,3,4) (46.2001)
11	4203 708 6306	1	Nozzle Ø 80 mm (3,4)
11 *	4203 708 6306	1	Nozzle Ø 80 mm (1,2) (09.2005)

(1) BR 340, (2) BR 340 L, (3) BR 420, (4) BR 420 C, (5) BR 380

Drawing

H Pleated hose, Blower tube



373ET041 SC

## Drawing H Pleated hose, Blower tube

---

Reference	Item number	Qty	Description
	4203 007 1045	1	Conversion kit (2,3,4) □ 12, 14
12	4203 708 6300	1	Nozzle Ø 67 mm
13	4203 701 8300	1	Nozzle Ø 67 mm (B)
14	4203 708 3408	1	Blower tube (2,3,4)
	4203 007 1041	1	Kit antistatic wire (B) □ 15 - 18
15	4203 717 8301	1	Antistatic wire (B)
16	4202 717 8100	1	Chain 1.3 m / 52" (B)
17	9307 021 0120	2	Washer 5.3 (B)
18	9074 478 4425	1	Pan head self-tapping screw IS-P6x19 (B)

(1) BR 340, (2) BR 340 L, (3) BR 420, (4) BR 420 C, (5) BR 380



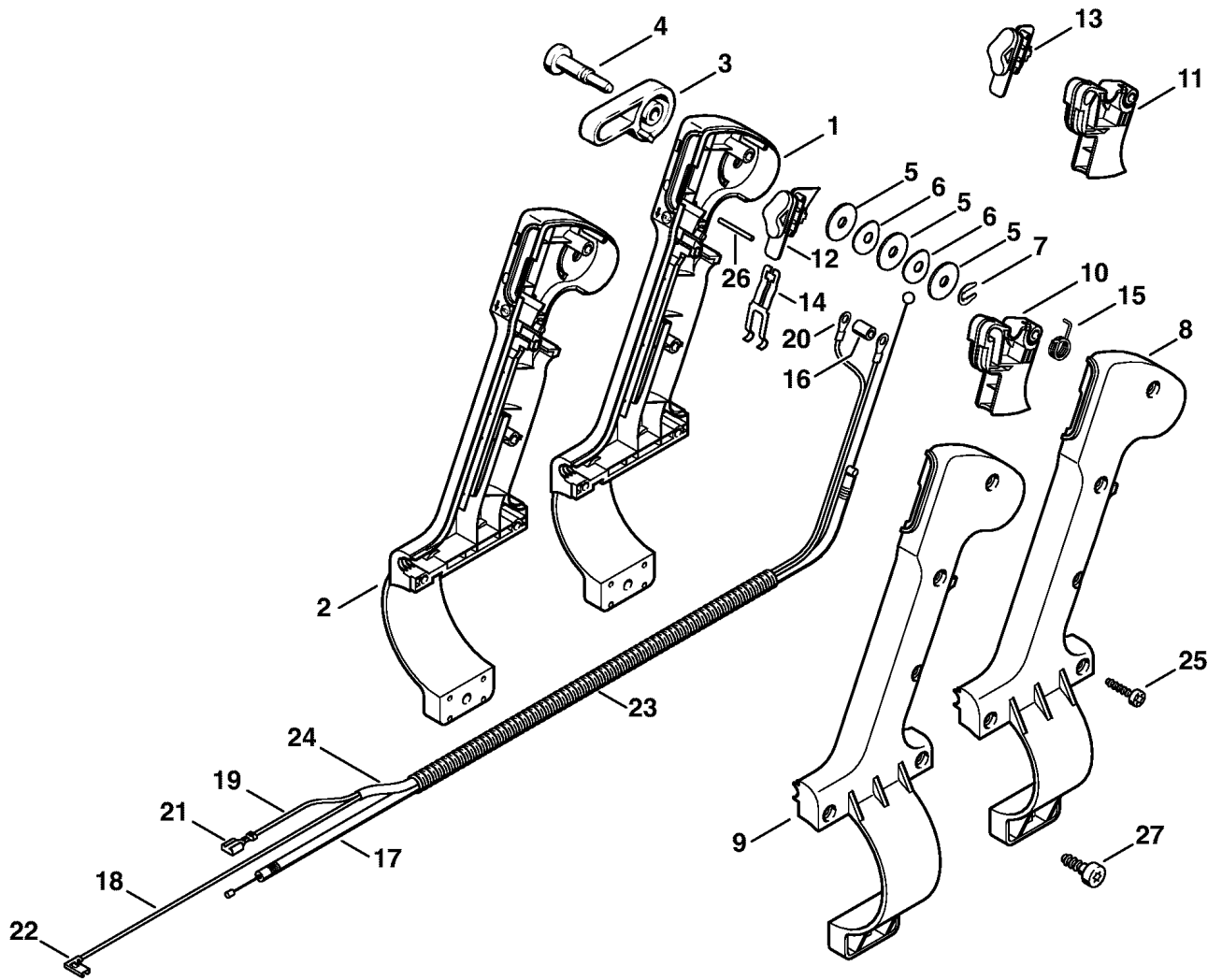
Drawing J Control handle

Reference	Item number	Qty	Description
	4203 790 1305	1	Control handle Ø 67 mm (1,5) □ 1, 3 - 8, 10, 12, 14 - 26
	4203 790 1306	1	Control handle Ø 80 mm (3) □ 2 - 7, 9, 11, 13 - 25
*	4203 790 1306	1	Control handle Ø 80 mm (1,2) (09.2005) □ 2 - 7, 9, 11, 13 - 25
	4203 790 1307	1	Control handle Ø 80 mm (4) □ 2 - 7, 9, 10, 12, 14 - 26
1	4203 790 1105	1	Handle molding, inner 67 mm / 2 5/8" (1,5) □ 3 - 7, 26
1	* 4203 790 1105	1	Handle molding, inner 67 mm / 2 5/8" (1,2,3,4) (46.2001) □ 3 - 7, 26
2	4203 790 1106	1	Handle molding, inner 80 mm / 3 3/16" (3,4) □ 3 - 7, 26
2	* 4203 790 1106	1	Handle molding, inner 80 mm / 3 3/16" (1,2) (09.2005) □ 3 - 7, 26
3	4203 182 2900	1	Locking lever
4	4203 182 8902	1	Pin
5	9291 021 3863	3	Washer 6.1x21x1.4
6	9322 630 0715	2	Spring washer 6.2x19x1.2
7	1120 122 9000	1	E-clip
8	4203 791 0811	1	Handle molding, outer 67 mm (1,5)
8	* 4203 791 0811	1	Handle molding, outer 67 mm (1,2,3,4) (46.2001)
9	4203 791 0810	1	Handle molding, outer 80 mm (3,4)
9	* 4203 791 0810	1	Handle molding, outer 80 mm (1,2) (09.2005)

(1) BR 340, (2) BR 340 L, (3) BR 420, (4) BR 420 C, (5) BR 380

Drawing

J Control handle



373ET047 GM

Drawing J Control handle

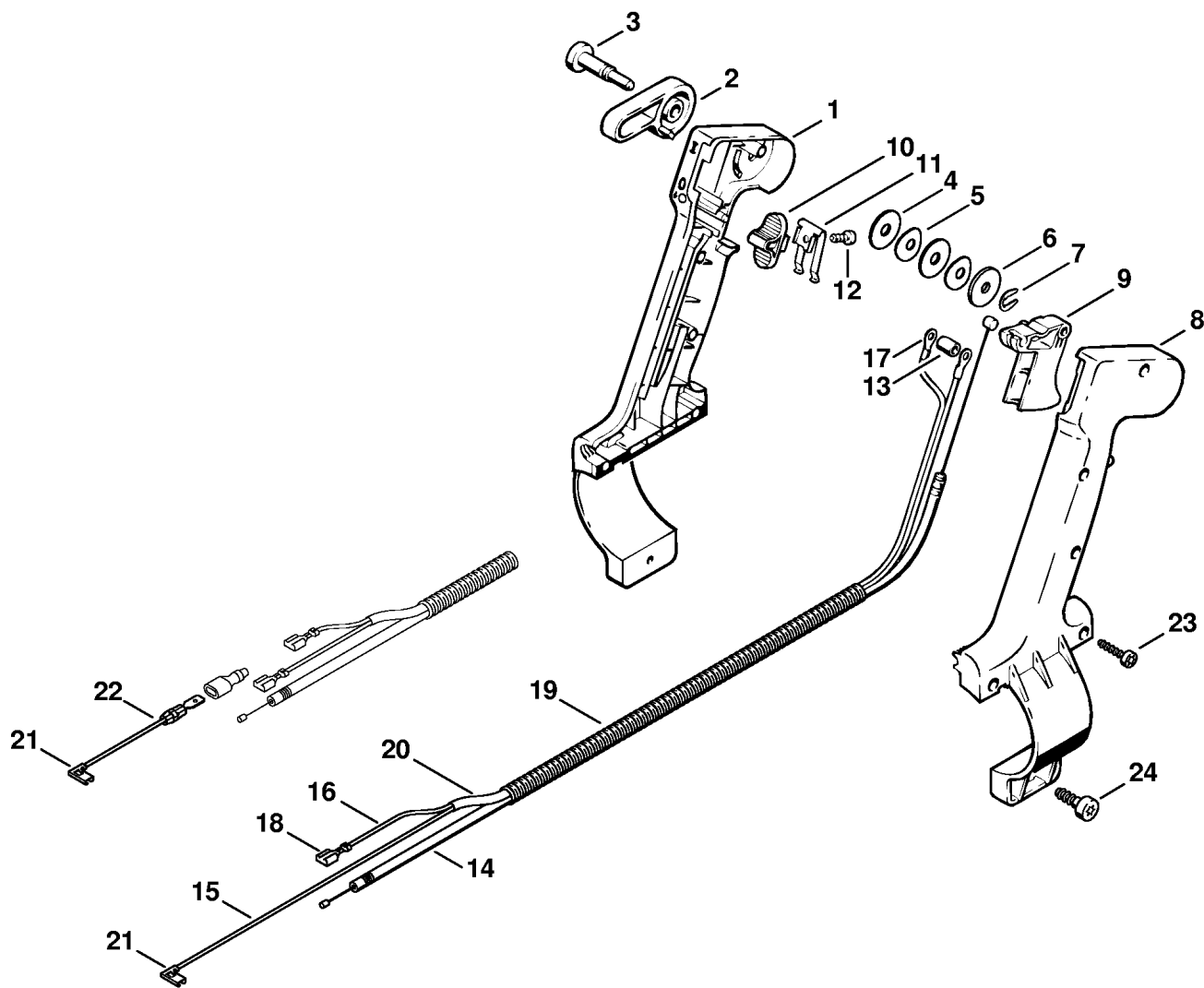
Reference	Item number	Qty	Description
10	4203 182 1003	1	Throttle trigger (1,4,5)
11	4203 182 1002	1	Throttle trigger (3)
11 *	4203 182 1002	1	Throttle trigger (1,2) (09.2005)
12	4203 430 0102	1	Slide (1,4,5) □ 14
13	4203 430 0101	1	Slide (3) □ 14
13 *	4203 430 0101	1	Slide (1,2) (09.2005) □ 14
14		1	Contact spring (D)
15	4203 182 4500	1	Torsion spring
16	4203 791 5200	1	Bushing
17	4203 180 1104	1	Throttle cable
	4203 440 1102	1	Short circuit wire □ 18 - 24
18		1	Short circuit wire 1215 mm / 47.8" (D) □ 20, 22
19		1	Short circuit wire 1120 mm / 44.1" (D) □ 20, 21
	0751 010 1110	1	Lead 10 m / 33' (B)
20	0751 030 8207	2	Terminal socket 4-1 (C)
21	0751 030 8404	1	Terminal socket 6.3-1 (C)
22		1	Terminal socket 4.8-1/0.8 (D)
23		1	Hose 780 mm / 30 3/4"
	4203 711 7201	1	Hose 960 mm / 37 13/16"
24	4203 711 7203	1	Hose 160 mm / 6 5/16"
25	9074 478 3075	5	Pan head self-tapping screw IS-P4x19
26	9381 651 1174	1	Cylindrical pin 2m5x24
27	9074 478 4425	1	Pan head self-tapping screw IS-P6x19

(1) BR 340, (2) BR 340 L, (3) BR 420, (4) BR 420 C, (5) BR 380



Drawing

K Control handle (46.2001)



373ET039 SC

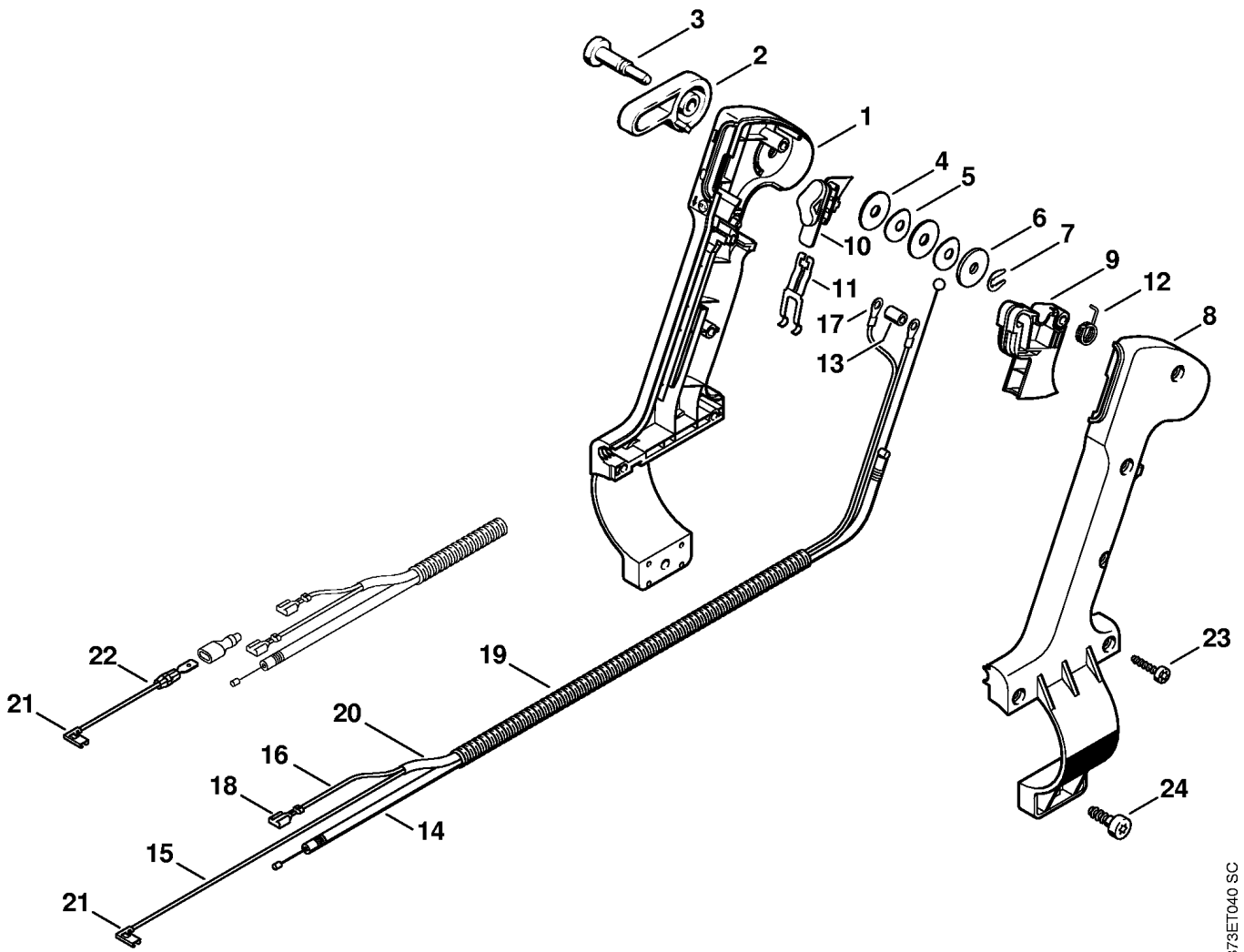
## Drawing K Control handle (46.2001)

Reference	Item number	Qty	Description
	* 4203 790 1302	1	Control handle Ø 67 mm (C) (1,2,3) (46.2001) □ 1 - 23
1	* 4203 790 1102	1	Handle molding, inner 67 mm / 2 5/8" (1,2,3) (46.2001) □ 2 - 7, 24
2	* 4203 182 0801	1	Locking lever (1,2,3) (46.2001)
3	* 4203 182 8902	1	Pin (1,2,3) (46.2001)
4	* 9291 021 3865	2	Washer 6.1x22x2 (1,2,3) (46.2001)
5	* 9322 630 0715	2	Spring washer 6.2x19x1.2 (1,2,3) (46.2001)
6	* 9291 021 3864	1	Washer 6.1x22x2 (1,2,3) (46.2001)
7	* 1120 122 9000	1	E-clip (1,2,3) (46.2001)
8	* 4203 791 0804	1	Handle molding, outer 67 mm (1,2,3) (46.2001)
9	* 4203 182 1000	1	Throttle trigger (1,2,3) (46.2001)
10	* 4203 121 2500	1	Slide (1,2,3) (46.2001)
11	* 4203 442 1600	1	Contact spring (1,2,3) (46.2001)
12	* 9104 003 0660	1	Self-tapping screw P4x12 (1,2,3) (46.2001)
13	* 4203 791 5200	1	Bushing (1,2,3) (46.2001)
14	* 4203 180 1111	1	Throttle cable (1,2,3) (46.2001)
	* 4203 440 1102	1	Short circuit wire (1,2,3) (46.2001) □ 15 - 21
15	*	1	Short circuit wire 1215 mm / 47.8" (D) (1,2,3) (46.2001)
16	*	1	Short circuit wire 1120 mm / 44.1" (D) (1,2,3) (46.2001)
	* 0751 010 1110	1	Lead 10 m / 33' (B) (1,2,3) (46.2001)
17	* 0751 030 8207	2	Terminal socket 4-1 (C) (1,2,3) (46.2001)
18	* 0751 030 8404	1	Terminal socket 6.3-1 (C) (1,2,3) (46.2001)
19	*	1	Hose 780 mm / 30 3/4" (1,2,3) (46.2001)
	* 4203 711 7201	1	Hose 960 mm / 37 13/16" (1,2,3) (46.2001)
20	* 4203 711 7203	1	Hose 160 mm / 6 5/16" (1,2,3) (46.2001)
21	*	1	Terminal socket 4.8-1/0.8 (D) (1,2,3) (46.2001)
22	* 4203 440 1901	1	Lead (1,2,3) (46.2001) □ 21
23	* 9074 478 3075	5	Pan head self-tapping screw IS-P4x19 (1,2,3) (46.2001)
24	* 9074 478 4425	1	Pan head self-tapping screw IS-P6x19 (1,2,3) (46.2001)

(1) BR 340, (2) BR 340 L, (3) BR 420, (4) BR 420 C, (5) BR 380

Drawing

L Control handle BR 420 C (46.2001)



373ET040 SC

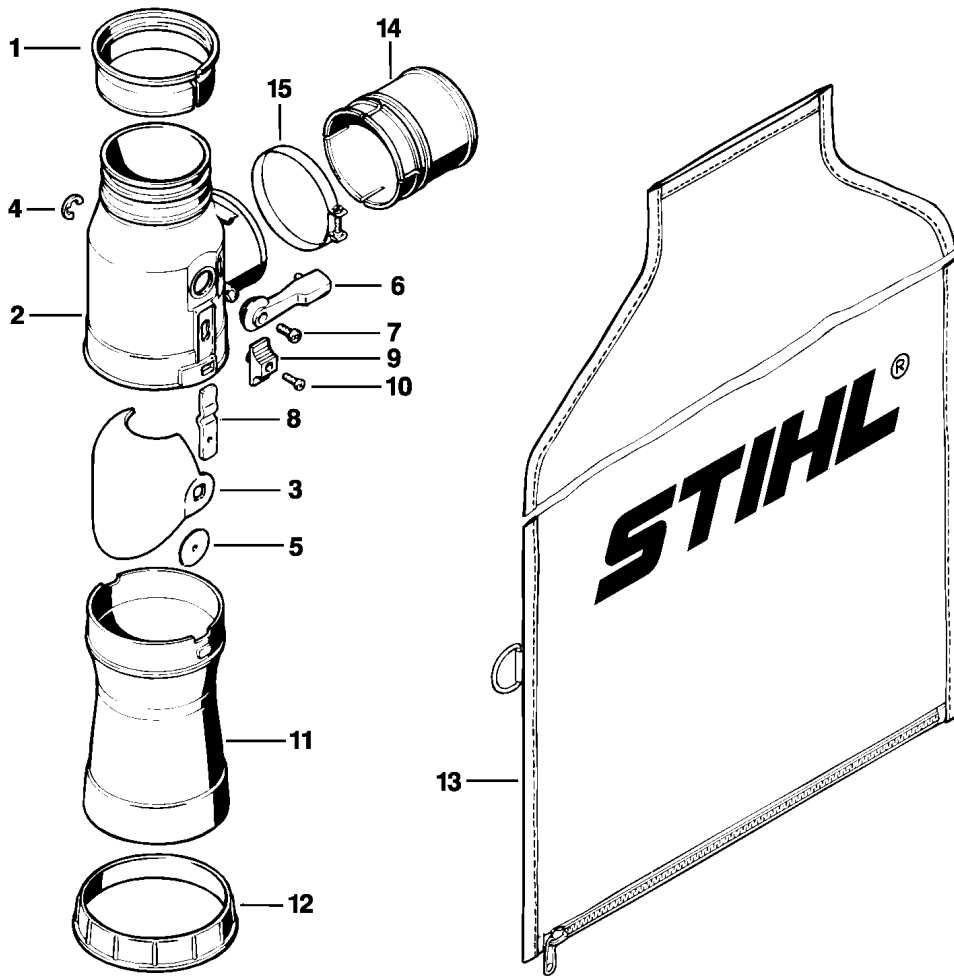
## Drawing L Control handle BR 420 C (46.2001)

Reference	Item number	Qty	Description
	* 4203 790 1303	1	Control handle Ø 67 mm (C) (4) (46.2001) □ 1 - 23
1	* 4203 790 1101	1	Handle molding, inner 67 mm / 2 5/8" (C) (4) (46.2001) □ 2 - 7
2	* 4203 182 0801	1	Locking lever (C) (4) (46.2001)
3	* 4203 182 8902	1	Pin (4) (46.2001)
4	* 9291 021 3865	2	Washer 6.1x22x2 (4) (46.2001)
5	* 9322 630 0715	2	Spring washer 6.2x19x1.2 (4) (46.2001)
6	* 9291 021 3864	1	Washer 6.1x22x2 (4) (46.2001)
7	* 1120 122 9000	1	E-clip (4) (46.2001)
8	* 4203 791 0805	1	Handle molding, outer 67 mm (4) (46.2001)
9	* 4203 182 1001	1	Throttle trigger (4) (46.2001)
10	* 4203 430 0100	1	Slide (4) (46.2001) □ 11
11	*	1	Contact spring (D) (4) (46.2001)
12	* 4203 182 4500	1	Torsion spring (4) (46.2001)
13	* 4203 791 5200	1	Bushing (4) (46.2001)
14	* 4203 180 1104	1	Throttle cable (4) (46.2001)
	* 4203 440 1102	1	Short circuit wire (4) (46.2001) □ 15 - 21
15	*	1	Short circuit wire 1215 mm / 47.8" (D) (4) (46.2001)
16	*	1	Short circuit wire 1120 mm / 44.1" (D) (4) (46.2001)
	* 0751 010 1110	1	Lead 10 m / 33' (B) (4) (46.2001)
17	* 0751 030 8207	2	Terminal socket 4-1 (C) (4) (46.2001)
18	* 0751 030 8404	1	Terminal socket 6.3-1 (C) (4) (46.2001)
19	*	1	Hose 780 mm / 30 3/4" (4) (46.2001)
	* 4203 711 7201	1	Hose 960 mm / 37 13/16" (4) (46.2001)
20	* 4203 711 7203	1	Hose 160 mm / 6 5/16" (4) (46.2001)
21	*	1	Terminal socket 4.8-1/0.8 (D) (4) (46.2001)
22	* 4203 440 1901	1	Lead (4) (46.2001) □ 21
23	* 9074 478 3075	5	Pan head self-tapping screw IS-P4x19 (4) (46.2001)
24	* 9074 478 4425	1	Pan head self-tapping screw IS-P6x19 (4) (46.2001)

(1) BR 340, (2) BR 340 L, (3) BR 420, (4) BR 420 C, (5) BR 380

Drawing

M Vacuum attachment



352ET015 LÄ

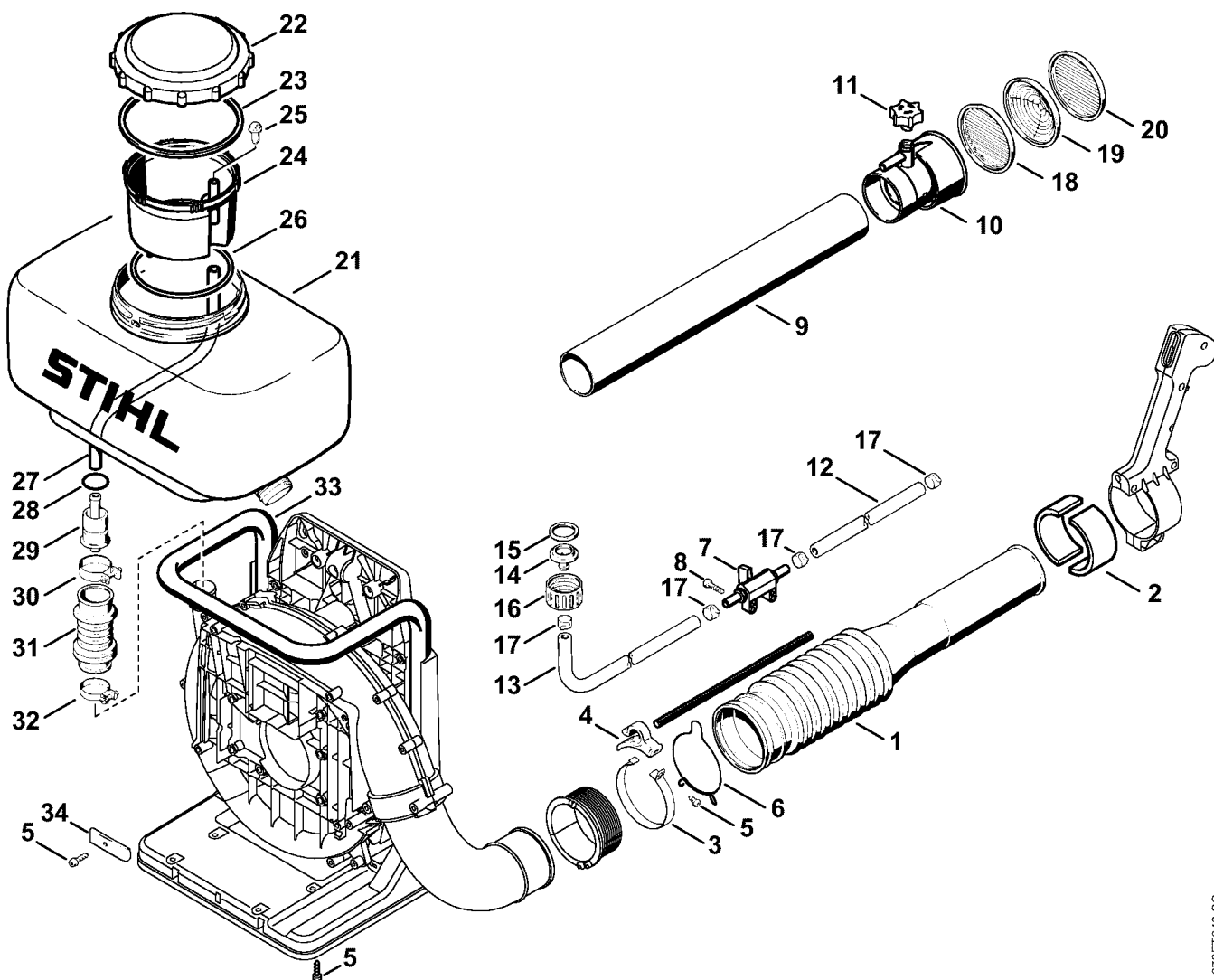
Drawing M Vacuum attachment

Reference	Item number	Qty	Description
	4203 007 1003	1	Vacuum attachment (B) □ 1 - 11, 13 - 15
1	4203 708 8900	1	Ring 80 (B)
2	4203 700 6301	1	Nozzle (B) □ 3 - 10
3	4203 500 7000	1	Diverter flap (B) □ 6
4	9460 624 0800	1	E-clip 8 (B)
5	4203 708 9300	1	Washer (B)
6		1	Lever (B,D)
7	9052 319 0870	1	Flat head screw M5x14 (B)
8	4203 708 9201	1	Catch (B)
9	4203 708 7900	1	Slide (B)
10	9052 319 0670	1	Flat head screw M4x15 (B)
11	4203 708 9601	1	Connector (B)
12	* 4203 708 7000	1	Clamping ring (B)
13	4203 708 9700	1	Catcher bag (B)
14	4203 708 9000	1	Adapter sleeve (B)
15	9771 021 3220	1	Hose clip 77x12 (B)

(1) BR 340, (2) BR 340 L, (3) BR 420, (4) BR 420 C, (5) BR 380

Drawing

N Conversion kit BR/SR



373ET046 SC

## Drawing N Conversion kit BR/SR

Reference	Item number	Qty	Description
	4203 007 1044	1	Conversion kit BR/SR (B) (3,4) □ 1 - 33
*	4203 007 1044	1	Conversion kit BR/SR (B) (1,2) (09.2005) □ 1 - 33
1	4203 701 6102	1	Pleated hose Ø 67 mm (B) (1,2,3,4)
2	4203 791 9100	2	Spacer (B) (1,2,3,4)
	4203 007 1001	1	Conversion kit BR/SR (B) □ 3 - 33
3	4203 700 7100	1	Hose clip (B) □ 4, 5
4	4203 708 8201	1	Bracket (B)
5	9074 478 4425	5	Pan head self-tapping screw IS-P6x19 (B)
6	4203 708 8700	1	Hose clip (B)
7	4203 700 4501	1	Shut-off cock (B)
8	9074 478 4545	2	Pan head self-tapping screw IS-P6x26.5 (B)
9	4203 708 3405	1	Tube (B)
10	4203 700 6310	1	Standard nozzle (B) □ 11
11	4203 708 4001	1	Dosage unit (B)
12		1	Hose 440 mm / 17 3/8" (B,D)
13		1	Hose 730 mm / 28 3/4" (B,D)
	4202 708 9502	1	Hose 10x2x830 mm (A,B)
14	4203 358 7400	1	Reducer (B)
15	0000 359 1205	1	Sealing ring (B)
16	4203 708 3100	1	Union nut (B)
17	9771 021 0780	4	Hose clip 14-15/8 (B)
18	4203 708 6600	1	Double baffle screen (B)
19	4203 708 6700	1	Tapered screen (B)
20	4203 708 6800	1	Baffle screen (B)

(1) BR 340, (2) BR 340 L, (3) BR 420, (4) BR 420 C, (5) BR 380





Drawing N Conversion kit BR/SR

Reference	Item number	Qty	Description
21	4203 700 0800	1	Container (B) □ 22, 23
22	4203 700 0902	1	Container cap (B) □ 23
23	4203 709 2002	1	Sealing ring (B)
24	4203 700 8810	1	Strainer (B) □ 25
25	4203 703 5700	1	Vent insert (B)
26	9645 945 8971	1	O-ring 120x5 (B)
27		1	Hose 330 mm / 13" (B)
	4202 708 9502	1	Hose 10x2x830 mm (B)
28	9645 945 7700	1	O-ring 23.4x3.53 (B)
29	4203 350 8000	1	Reducer (B)
30	9771 021 2640	1	Hose clip 38x12 (B)
31	4203 701 6200	1	Bellows (B)
32	9771 021 2600	1	Hose clip 34x12 (B)
33	4203 791 5600	1	Support frame (B)
34	4203 703 6901	2	Bracket (B)

(1) BR 340, (2) BR 340 L, (3) BR 420, (4) BR 420 C, (5) BR 380